

HLL linear LED lighting-hazardous area

Product introduction

HLL series is an extremely robust linear LED luminaire in an aluminum housing with a high impact polycarbonate diffuser for use in Zone 1, 2, 21 and 22 hazardous environments.

The use of high quality LED chips, along with Crouse-Hinds' industry knowhow in extracting heat from electrical products in hazardous, gaseous environment, ensures benchmark longevity for HLL in operation. With the added benefits of energy savings, lower maintenance, overall lower cost of ownership and importantly, contributes to a greener environment.



Product features

| Model | Length | Color temp. | Nominal lumens | Wattage | Equivalent fluorescent luminaire |
|------------------------|--------|-------------|----------------|---------|----------------------------------|
| HLL-2-3L series | 735mm | 5700K | Approx.2800 | <30W | 2x18W |
| HLL-4-5L series | 1335mm | 5700K | Approx.5700 | <60W | 2x36W |

* Lumen values apply to 5700K light color, 70 CRI fixtures. Lumen output may vary slightly for different models.

* Tolerance+/-10%

- Reliability
 - Polycarbonate, 4J impact resistant
 - Cooper free aluminum for excellent corrosion and heat transfer properties
 - IP66 protection
 - Suitable for zone 1, 2, 21 and 22 gas and dust atmospheres
 - Highest temperature class T6

- Permissible ambient temperature:
 - Standard luminaire: -40°C~+55°C
 - Emergency luminaire: -25°C~+55°C
 - Standard 5700K, also available for 3000K, 4000K, 5000K, 6500K.
- Anti shock and vibration proof
- Mercury-free
- Instant ON without time delay
- Rated life of 5 years up to 55°C provides long term, low-maintenance operation.

Technical data

| | |
|---|--|
| IECEX-certification of conformity | IECEX NEP 19.0003X, IECEX SEV 19.0053X, SEV 20 ATEX 0379 X |
| Ex marking | Ex db eb ib mb IIC T6 Gb or Ex eb ib mb IIC T6 Gb* Ex tb IIIC T80°C Db |
| Ambient temp | -40°C to 55°C (Normal) -25°C to 55°C (Emergency) |
| Rated input volt | 100~240 VAC; 108~250 VDC |
| Power factor | >0.9 |
| CRI | Cool white>70 as standard, CRI>80 is optional |
| LED module | HLL 2 series: 2x14W HLL 4 series: 2x28W |
| Lumen output | HLL 2 series: 2800Lm, 5700K HLL 4 series: 5700Lm, 5700K HLL 2 series: 2700Lm, 3000K HLL 4 series: 5600Lm, 3000K |
| Material | Aluminum |
| Weight | HLL 2 series Normal: 5kg HLL 2 series Em: 6kg HLL 4 series Normal: 10kg HLL 4 series Em: 12kg |
| Terminals | 6mm ² |
| Out line dimension | HLL 2 series: 735x180x130(mm) HLL 4 series: 1335x180x130(mm) |
| Backup duration & lumen percentage | EM1=1.5h, 25% output, EM2=3h, 25% output |
| IP (IEC60529) | IP66 |

* Tolerance+/-10%

HLL linear LED lighting-hazardous area

Ordering information

| Product Type | Color Temp ¹⁾ | Terminals | Through wiring ²⁾ | | Entry Threaded | Ex e Threaded Plug ³⁾ | Part No. ⁴⁾ |
|--------------------------|--------------------------|-----------|------------------------------|------------|----------------|----------------------------------|------------------------|
| | | | Single-ended | Twin-ended | | | |
| HLL-3L | | | | | | | |
| HLL-2-3L-D-1/6-220 | 5700K | 1x6 | ● | - | 2xM20 | 1 | CCL1622395U |
| HLL-2-3L-D-2/6-220 | | - | 2x6 | - | ● | 4xM20 | 2 |
| HLL-3L Emergency | | | | | | | |
| HLL-2-3L-D-EM1-1/6-220 | 5700K | 1x6 | ● | - | 2xM20 | 1 | CCL1622427U |
| HLL-2-3L-D-EM1-2/6-220 | | - | 2x6 | - | ● | 4xM20 | 2 |
| HLL- 5L | | | | | | | |
| HLL-4-5L-D-1/6-220 | 5700K | 1x6 | ● | - | 2xM20 | 1 | CCL1622779U |
| HLL-4-5L-D-2/6-220 | | - | 2x6 | - | ● | 4xM20 | 2 |
| HLL- 5L Emergency | | | | | | | |
| HLL-4-5L-D-EM1-1/6-220 | 5700K | 1x6 | ● | - | 2xM20 | 1 | CCL1622811U |
| HLL-4-5L-D-EM1-2/6-220 | | - | 2x6 | - | ● | 4xM20 | 2 |

¹⁾ Tolerance +/- 10%

²⁾ Through wiring 6 x 2.5 mm²

³⁾ Standard version without cable gland. if need, please order separately

⁴⁾ Default=IECEX certified; Suffix A=ATEX certified; Suffix B=GB certified

Any other types, like M25, Coating, Replacement version, please contact Crouse-Hinds sales.

Metallic cable glands (order separately)

ADE-1F2

| Catalog # | Metric Thread Size | Cable Types | Cable sealing range - Min | Cable sealing range - Max |
|-----------------------------|--------------------|--------------------------------------|---------------------------|---------------------------|
| ADE1M201NPN | M20 | Non-armoured, | 4.5 | 8.5 |
| ADE1M202NPN | M20 | Marine shipboard, Type P, Tray cable | 7.0 | 12.0 |
| ADE1M203NPN | M20 | (armoured) | 10.0 | 16.0 |



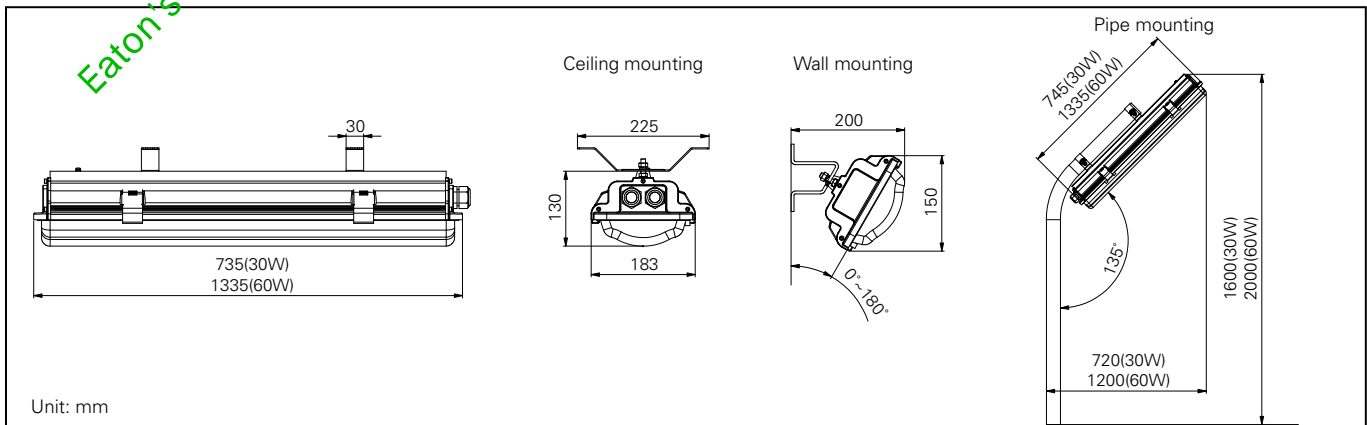
ADE-4F

| Catalog # | Metric Thread Size | Cable Types | Cable sealing range inner sheath | | Cable sealing range outer sheath | | Armor | |
|-----------------------------|--------------------|---|----------------------------------|------|----------------------------------|------|-------|------|
| | | | Min. | Max. | Min. | Max. | Min. | Max. |
| ADE4M201NPN | M20 | SWA, SWB, STA, | 4.5 | 8.0 | 7.0 | 12.0 | 0.2 | 0.9 |
| ADE4M202NPN | M20 | Braded marine shipboard, Type P; Leadsheathed | 7.0 | 12.0 | 10.0 | 16.0 | 0.2 | 1.3 |
| ADE4M203NPN | M20 | cable (with addition of earthing washer) | 10.0 | 15.5 | 13.5 | 21.0 | 0.2 | 1.3 |



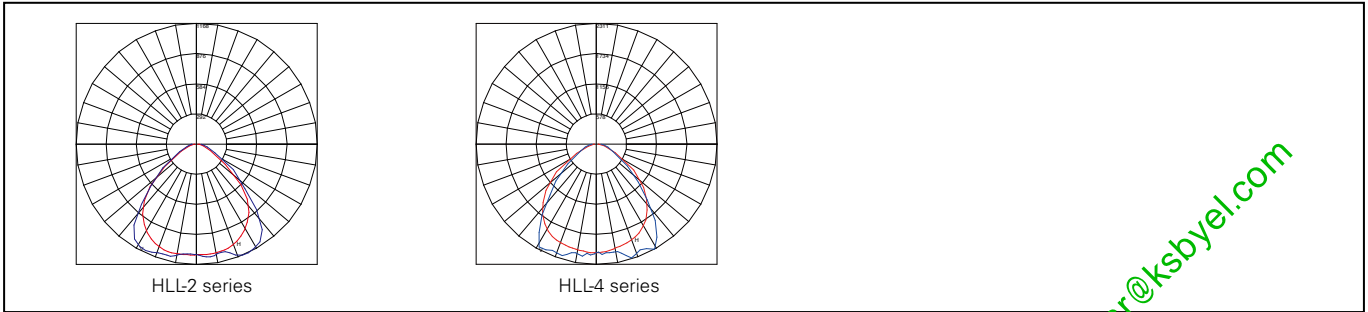
ADE-1F2 and ADE-4F catalog numbers are for nickel-plated brass; For other material options, please contact our sales representative.

Dimension

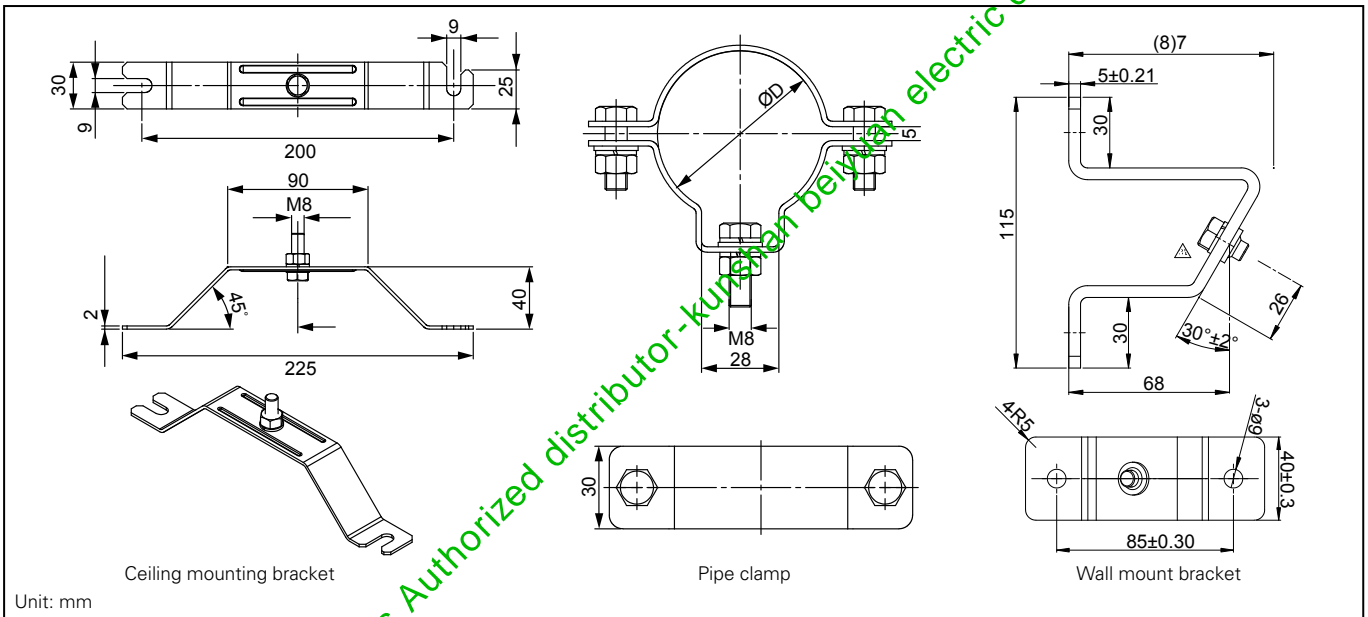


HLL linear LED lighting-hazardous area

Polar curve



Mounting accessories (To be ordered separately)



Pipe mounting

| Part No | Description | Qty |
|----------|----------------------------|-----|
| CHR11076 | Pipe clamp assy D42 316S/S | 2 |
| CHR11079 | Pipe clamp assy D51 316S/S | 2 |

Wall mounting

| Part No | Description | Qty |
|----------|------------------------|-----|
| CHR11073 | Wall suspension 316S/S | 2 |

Ceiling mounting

| Part No | Description | Qty |
|----------|-----------------------------|-----|
| CHR11099 | Ceiling mounting BKT 316S/S | 2 |